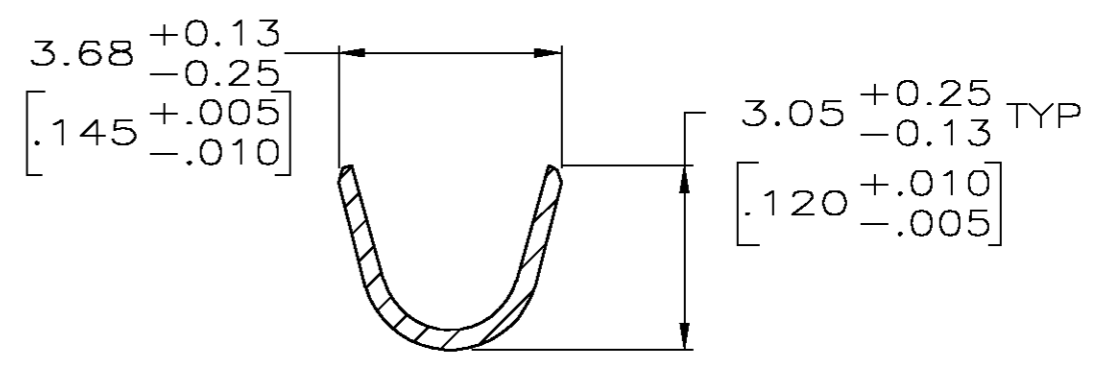
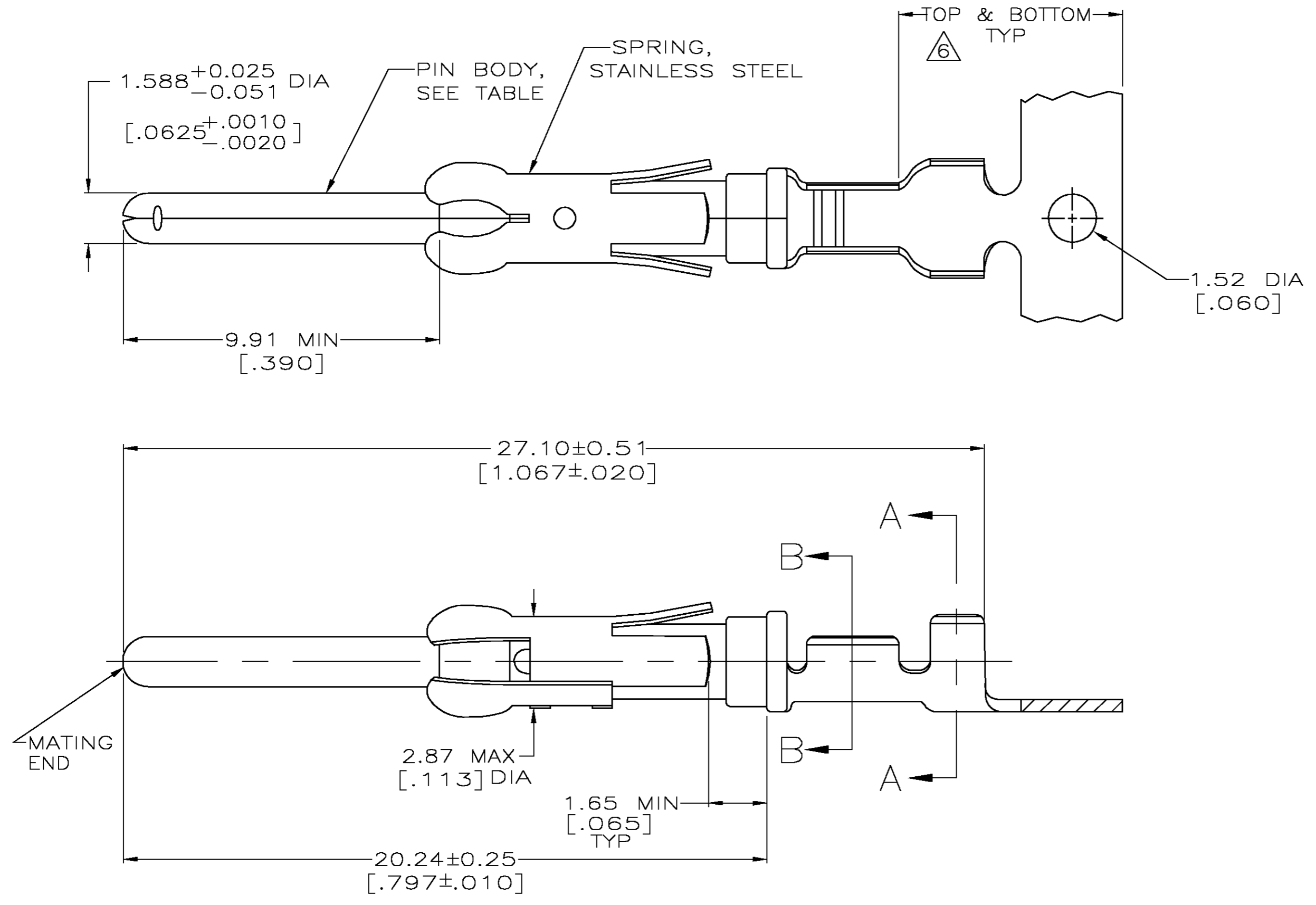
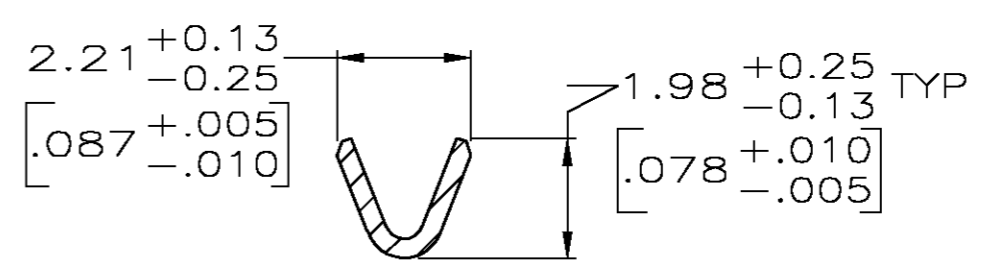


THIS DRAWING IS UNPUBLISHED. RELEASED FOR PUBLICATION
 © COPYRIGHT BY TYCO ELECTRONICS CORPORATION. ALL RIGHTS RESERVED.

LOC		DIST		REVISIONS			
P	LTR	DESCRIPTION	DATE	DWN	APVD		
FT	0	V	REVISED PER OG3B-0956-04	11/17/04	SS	GS	



SECTION A-A



SECTION B-B

- ① REVERSE REELED FOR MINI-APPLICATOR.
- ② 0.76 μm [.000030] MIN GOLD PER MIL-G-45204 ON MATING END FOR A LENGTH OF 5.08 [.200] MIN WITH GOLD FLASH ON THE REMAINDER, OVER 1.27 μm [.000050] MIN NICKEL PER QQ-N-290.
- ③ 0.76 μm [.000030] MIN GOLD PER MIL-G-45204 IN MATING END FOR A LENGTH OF 5.08 [.200] MIN WITH A UNIFORM GRADIENT TO 0.25 μm [.000010] MIN GOLD PER MIL-G-45204 ON THE REMAINDER, OVER 1.27 μm [.000050] MIN NICKEL PER QQ-N-290.
- ④ 0.38 μm [.000015] MIN GOLD PER MIL-G-45204 ON MATING END FOR A LENGTH OF 5.08 [.200] MIN WITH GOLD FLASH ON THE REMAINDER OVER 1.27 μm [.000050] MIN NICKEL PER QQ-N-290.
- ⑤ 1.27 μm [.000050] MIN GOLD PER MIL-G-45204 ON MATING END FOR A LENGTH OF 5.08 [.200] MIN WITH GOLD FLASH ON THE REMAINDER OVER 3.81 μm [.000150] MIN NICKEL PER QQ-N-290.
- ⑥ GOLD PLATING NEED NOT APPEAR IN THIS AREA.
- ⑦ 1.27 μm [.000050] MIN TIN-LEAD PER MIL-T-10727 OVER 1.27 μm [.000050] MIN NICKEL PER QQ-N-290.
- 8. WIRE RANGE 24-20 AWG.
- 9. INSULATION RANGE 2.03 [.080]-2.54 [.100] DIA.
- ⑩ 0.38 μm [.000015] MIN GOLD PER MIL-G-45204 ON MATING END FOR A LENGTH OF 5.08 [.200] MIN, 1.27 μm [.000050] MIN TIN-LEAD PER MIL-T-10727 FOR A LENGTH OF 5.69 [.224] MIN ON OPPOSITE END, BOTH OVER 1.27 μm [.000050] MIN NICKEL PER QQ-N-290 ON ENTIRE CONTACT.
- ⑪ 1.27 μm [.000050] MIN TIN PER MIL-T-10727 OVER 1.27 μm [.000050] MIN NICKEL PER QQ-N-290.

STANDARD	⑪	MATERIAL	REF	PART NO
①	⑪	BRASS	1-66400-0	1-66332-5
①	⑪	BRASS	1-66400-0	1-66332-4
①	②	PHOSPHOR BRONZE	-	1-66332-3
OBSOLETE	①	⑩	BRASS	66400-5
OBSOLETE	①	⑤	BRASS	-
①	②	BRASS	66400-4	66332-8
①	④	BRASS	66400-3	66332-7
①	③	BRASS	66400-2	66332-6
①	⑦	BRASS	66400-1	66332-5
STANDARD	②	BRASS	66400-4	66332-4
STANDARD	④	BRASS	66400-3	66332-3
STANDARD	⑦	BRASS	66400-1	66332-1
REELING	PIN BODY FINISH	PIN BODY	LOOSE PIECE REF	PART NO

THIS DRAWING IS A CONTROLLED DOCUMENT.

DWN	R. SHIREY	7-18-91
CHK	R. STONE	8-15-91
APVD	J. WESTMAN	8-19-91

tyco Electronics Tyco Electronics Corporation
 Harrisburg, Pa 17105-3608

NAME: CONTACT, PIN, .062, TYPE III+
 APPLICATION SPEC: -
 SIZE: A2 CAGE CODE: 00779 C=66332 DRAWING NO: -
 WEIGHT: -
 SCALE: 8:1 SHEET 1 OF 1 REV V

MATERIAL: SEE CALLOUTS FINISH: SEE TABLE
 CUSTOMER DRAWING